

METROPOLIS™ "H" AIR COOLED

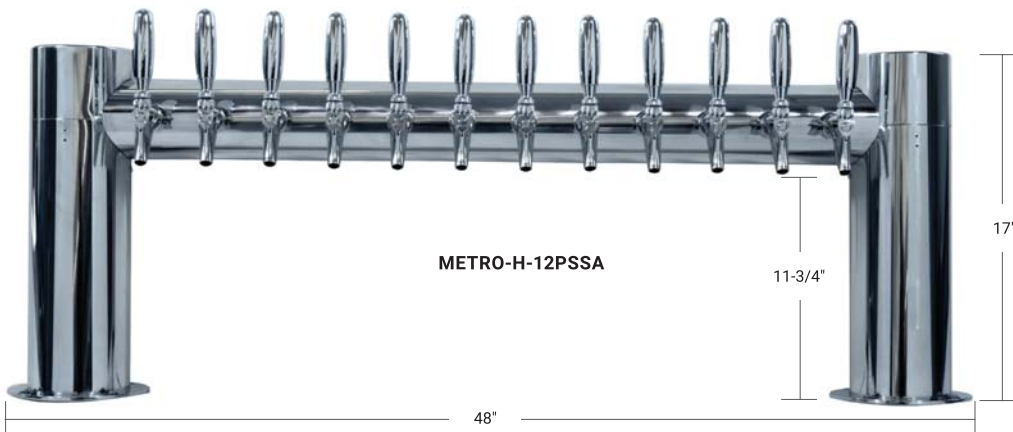
The popular Metropolis™ series is expanded to include air cooled models. These H-style towers are specially constructed for excellent flow-thru air cooling with larger diameter pedestals and crossbar. Metropolis™ towers are polished stainless steel for a durable mirror-like finish.

5" COLUMN

Includes 304 stainless steel faucet & shank with 5 FT x 3/16" I.D. vinyl.

PART NO.	FAUCETS	FINISH	LENGTH	OUTLET	DISPENSE SYSTEM
METRO-H-6PSSA	6	Polished SS	30"	Hose	Air Cooled
METRO-H-8PSSA	8	Polished SS	36"	Hose	Air Cooled
METRO-H-10PSSA	10	Polished SS	42"	Hose	Air Cooled
METRO-H-12PSSA	12	Polished SS	48"	Hose	Air Cooled

Faucet knobs are not included.



**DELIVER
STYLE & CHOICE
ON TAP!**



Mount the Metro H on Back Bar to deliver style and multiple beverages on tap! Mounting holes required if installed on a Direct Draw unit.

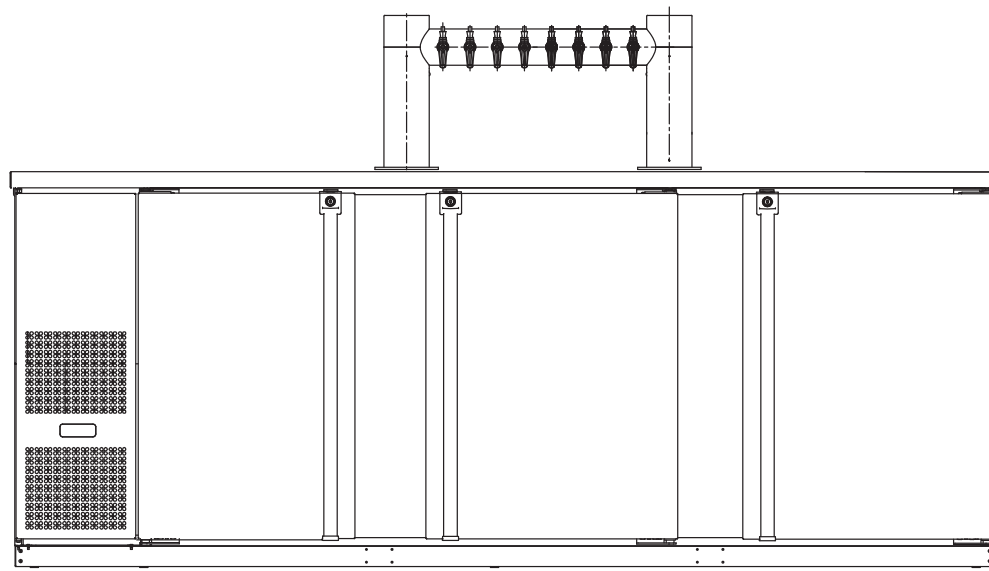
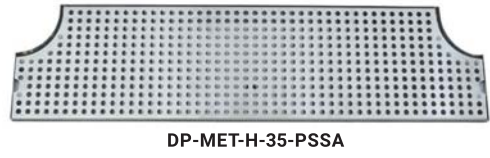


Illustration: MBB94-E, METRO-H-8PSSA.

DRIP TRAY SELECTIONS

PART NO.	FAUCETS	SERIES TYPE	FINISH	DIMENSIONS
DP-MET-H-23-PSSA	6	Surface mount	SS	23"W x 8-1/2"D x 3/4"H
DP-MET-H-29-PSSA	8	Surface mount	SS	29"W x 8-1/2"D x 3/4"H
DP-MET-H-35-PSSA	10	Surface mount	SS	35"W x 8-1/2"D x 3/4"H
DP-MET-H-41-PSSA	12	Surface mount	SS	41"W x 8-1/2"D x 3/4"H



DP-MET-H-35-PSSA